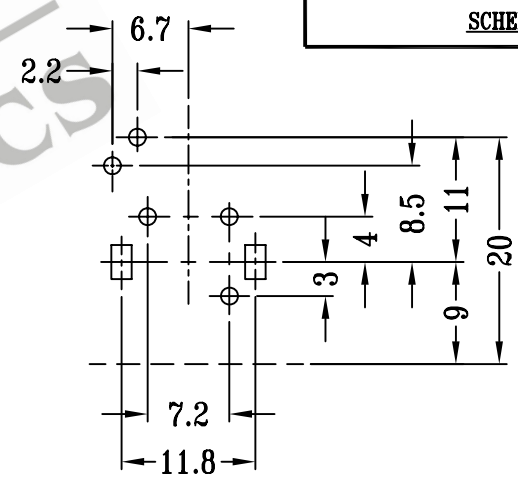
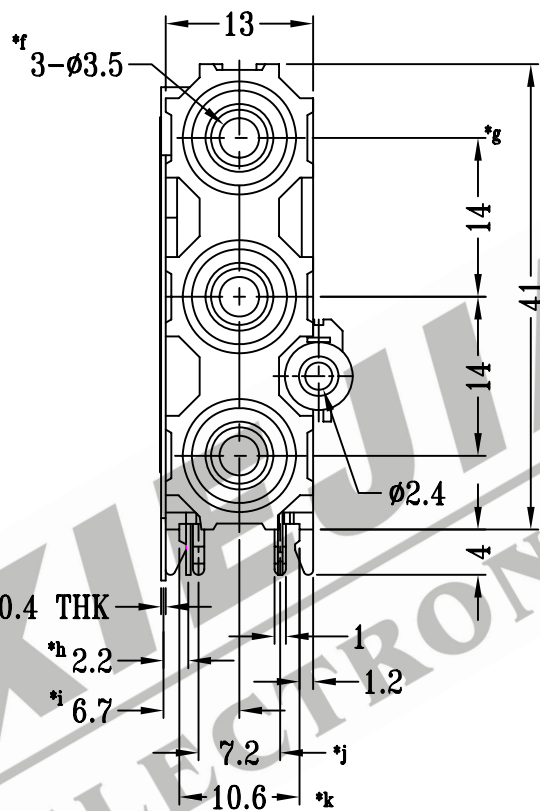
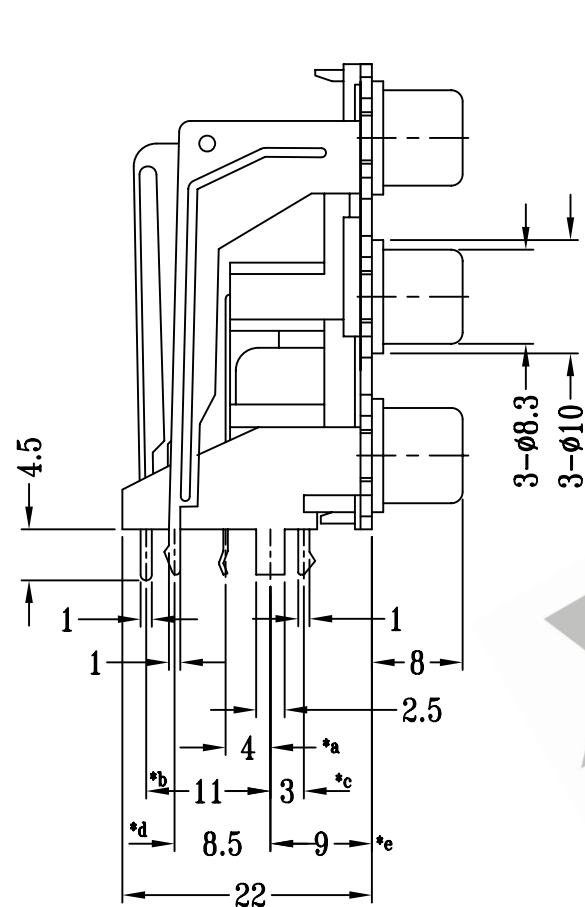
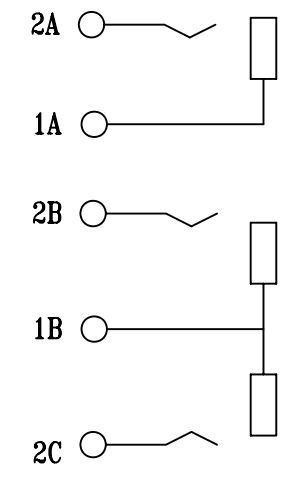


CAD FILE :



P.C.B LAYOUT



SCHEMATIC

注:带*表示关键尺寸(11个)

8	TERMINAL C	PBS STRIP	1	Ag PLATED OVER Ni PLATED	TOLERANCE UNLESS SPECIFIED	SHENZHEN XIEJIA ELECTRONICS CO.,LTD.				
7	TERMINAL B	PBS STRIP	1	Ag PLATED OVER Ni PLATED						
6	SLEEVE B	BRASS STRIP	1	Cr PLATED	WITHIN : 1.5±0.1mm	ISSUE	DATE	DESCRIPTIONS	APPD	
5	WASHER	ABS	3	YELLOW/WHITE/RED	OVER : 1.5±0.2mm					
4	COVER	ABS	1	BLACK	TITLE : RCA JACK		UNIT : M M	DRWG NO : XJ-DR-RC333-00		
3	SLEEVE A	BRASS STRIP	1	Cr PLATED	MODEL: RC-333		SCALE : 3:2	DWN.	ZHOUYU	2004-11-16
2	CASE	ABS	1	YELLOW	ALL MATERIALS MUST BE COMPLIANT TO ROHS		APPD.	CHK'D	FANGYING	2004-11-16
1	TERMINAL A	BRASS STRIP	1	Ag PLATED OVER Ni PLATED				KANGXINAN	2004-11-16	
NO.	PART NAME	MATERIAL	QTY.	FINISHING						